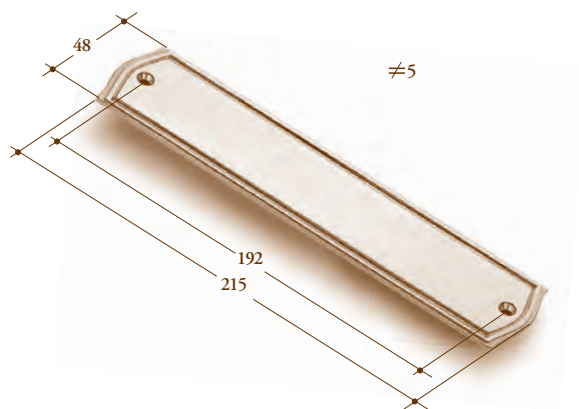


Art. 18-P

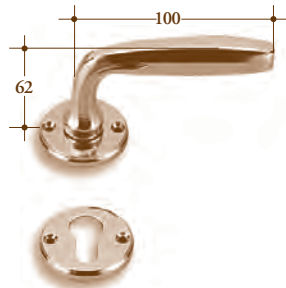




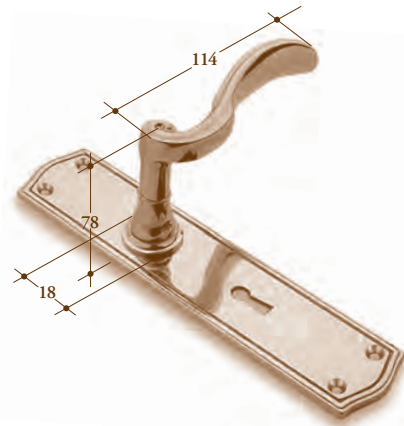
MANIGLIE PER PORTE

LEVER HANDLES

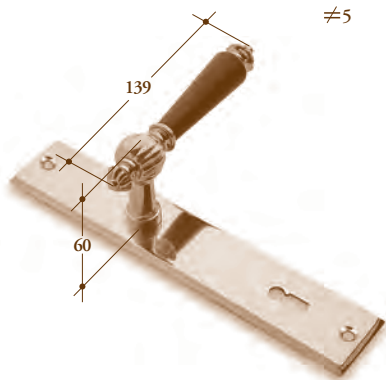
TÜRDRÜCKER



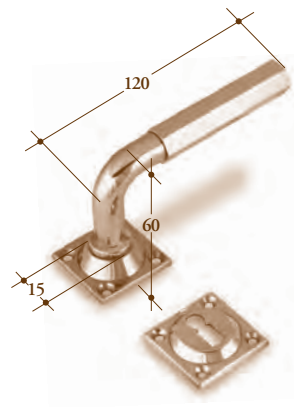
Art. 160



Art. 415



Art. 421



Art. 460

Maniglie | Handles | Beschläge

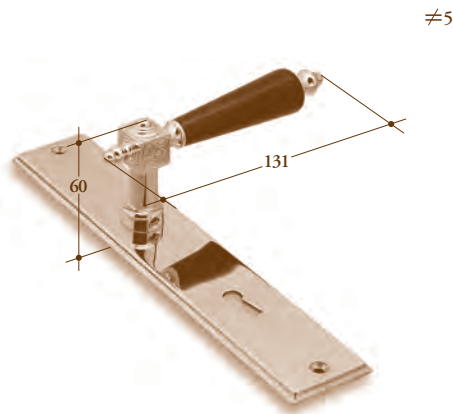
≠ spessore - thickness - Stärke

M

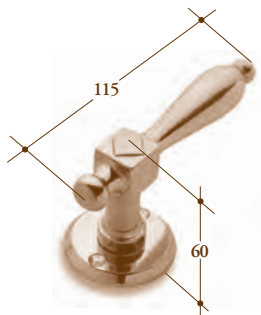
MANIGLIE PER PORTE

LEVER HANDLES

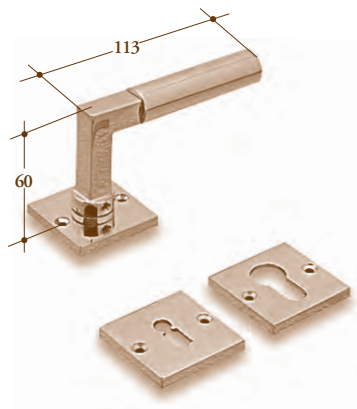
TÜRDRÜCKER



Art. 418



Art. 442



Art. 448

Maniglie | Handles | Beschläge

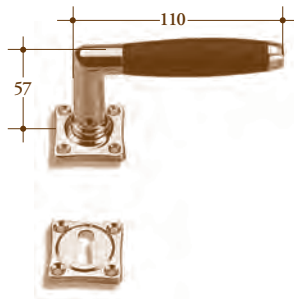
\neq spessore - thickness - Stärke



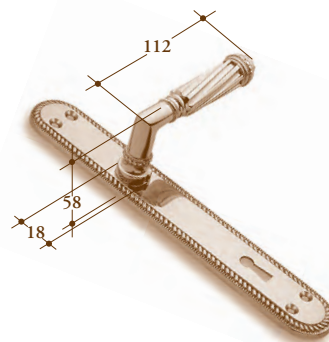
MANIGLIE PER PORTE

LEVER HANDLES

TÜRDRÜCKER



Art. 109-EBANO



Art. 391

Art. EX 014

≠5



Art. EX 0100



Art. EX 0101

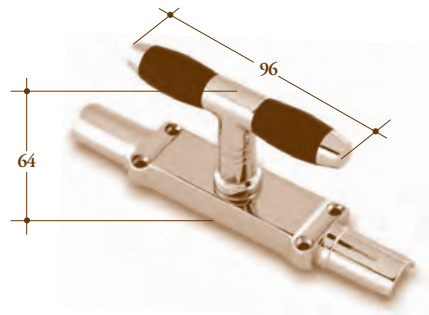


Art. EX 0101-BY

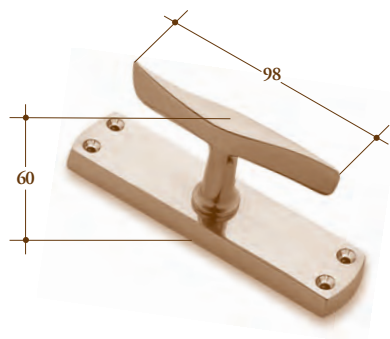


Maniglie | Handles | Beschläge

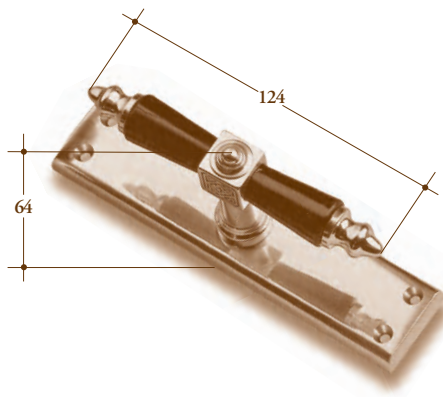
≠ spessore - thickness - Stärke



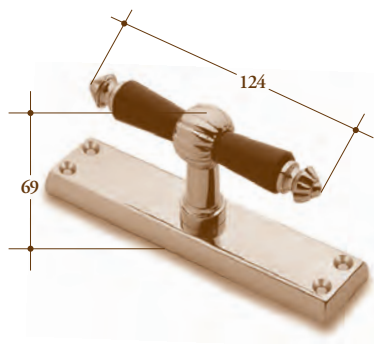
Art. 259-T-EBANO



Art. 342



Art. 419



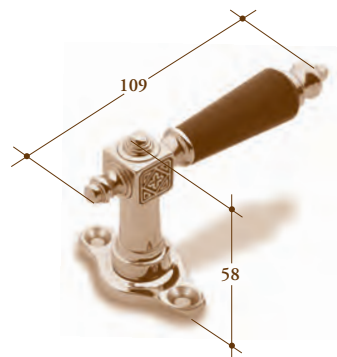
Art. 422



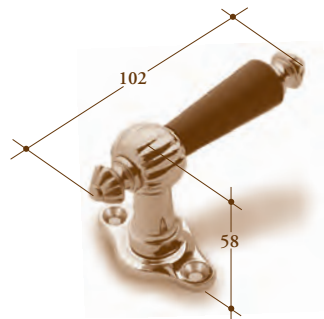
MEZZE MARTELLINE

T-CASEMENT HANDLES

HALBOLIVEN



Art. 420



Art. 423

Maniglie | *Handles* | Beschläge

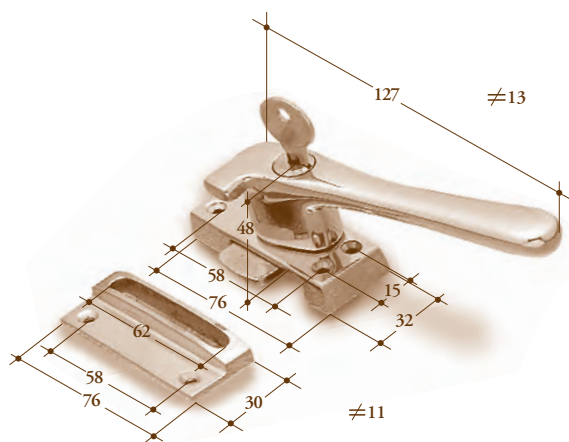
≠ spessore - thickness - Stärke

M

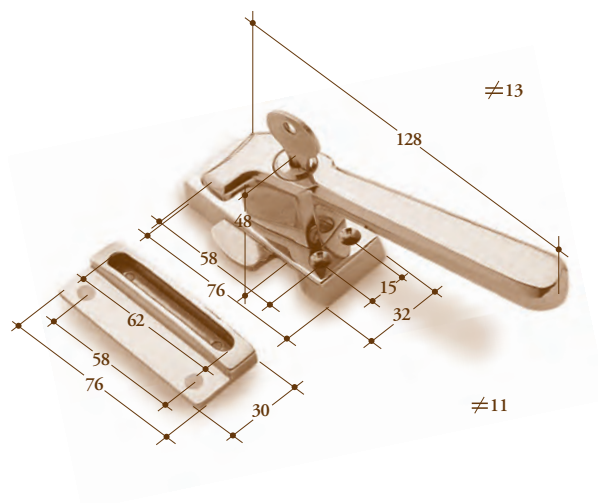
MANIGLIE A LEVA

CASEMENT FASTENERS

FENSTERAUSSTELLER



Art. 892



Art. 893

Maniglia | Handles | Beschläge

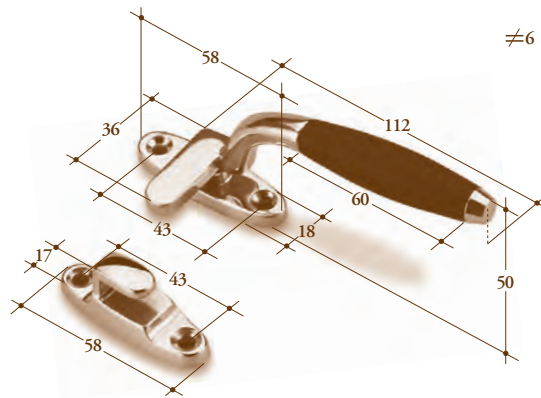
\neq spessore - thickness - Stärke



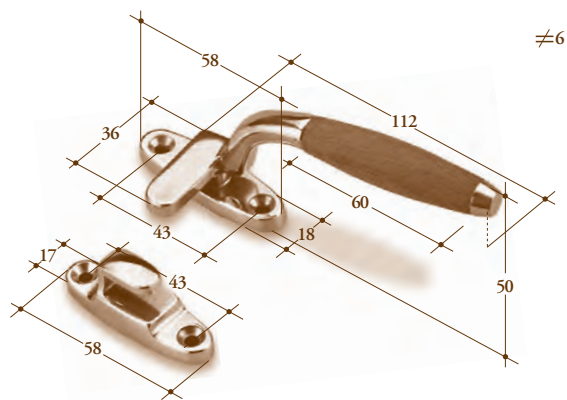
MANIGLIE A LEVA

CASEMENT FASTENERS

FENSTERAUSSTELLER



Art. 895-A EBANO



Art. 895-A TEAK

Maniglia | Handles | Beschläge

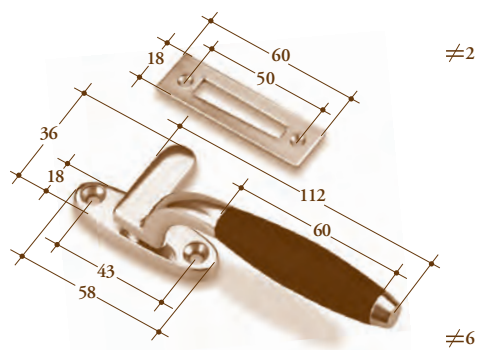
\neq spessore - thickness - Stärke



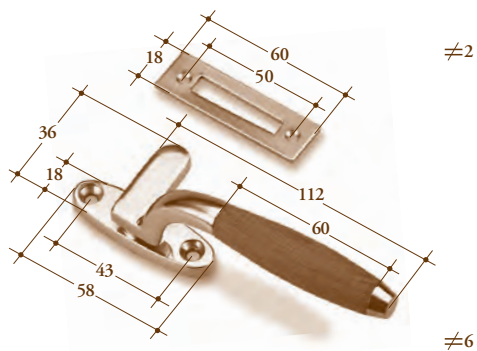
MANIGLIE A LEVA

CASEMENT FASTENERS

FENSTERAUSSTELLER



Art. 895-B EBANO



Art. 895-B TEAK

Maniglie | Handles | Beschläge

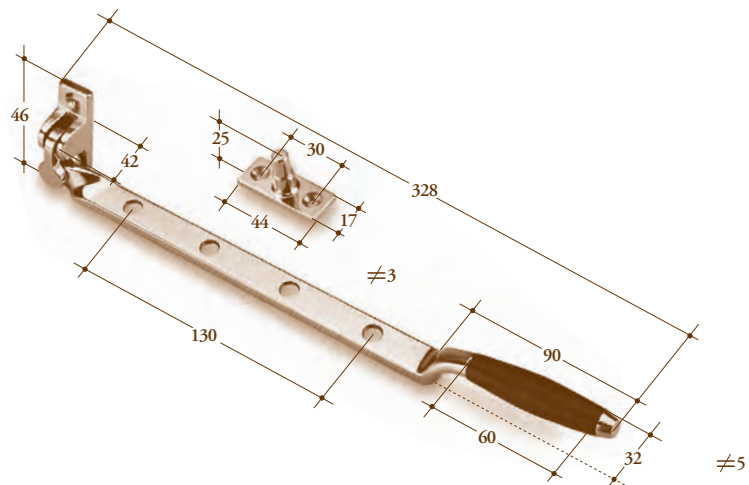
\neq spessore - thickness - Stärke



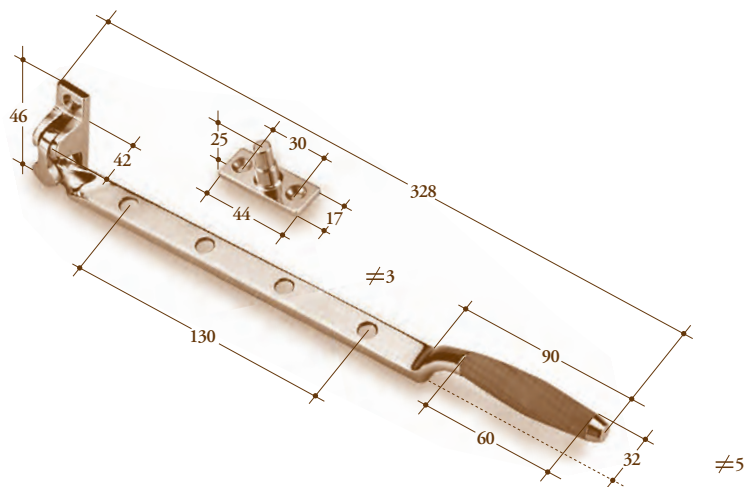
MANIGLIE A LEVA

CASEMENT FASTENERS

FENSTERAUSSTELLER



Art. 896 EBANO



Art. 896 TEAK

Maniglie | Handles | Beschläge

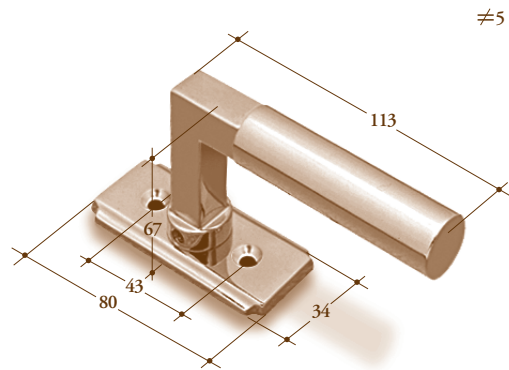
\neq spessore - thickness - Stärke



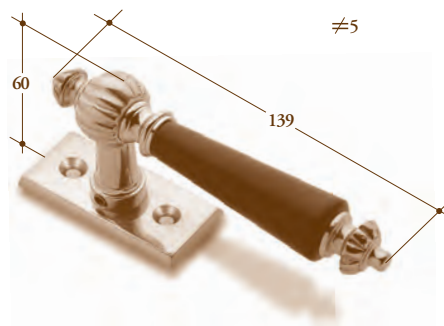
DREHKIPP

TILT AND TURN HANDLES

DREHKIPP



Art. 448/01-D



Art. 421/7-D

Maniglie | Handles | Beschläge

≠ spessore - thickness - Stärke

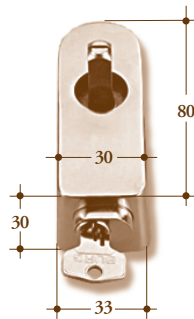
M

MOVIMENTI PER DREHKIPP

| TILT AND TURN MECHANISMS

DREHKIPP MECHANISMUS

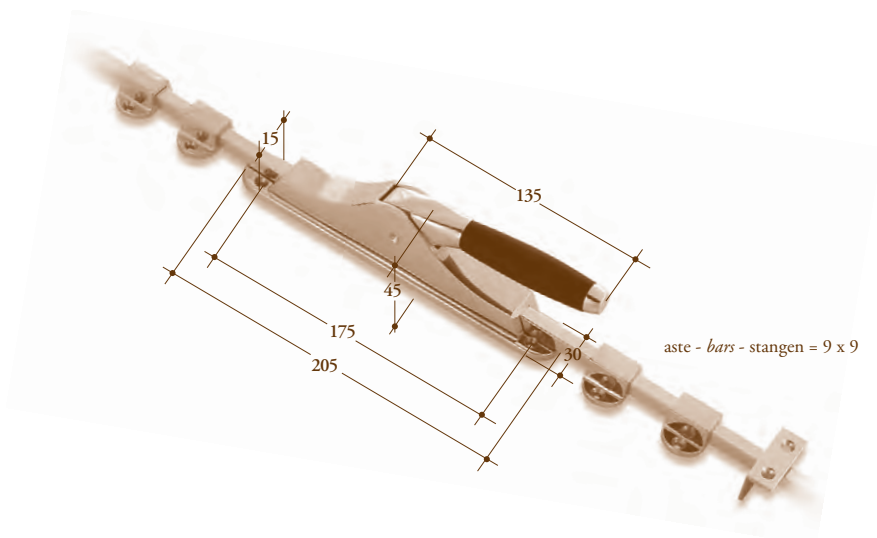
Art. 258-S



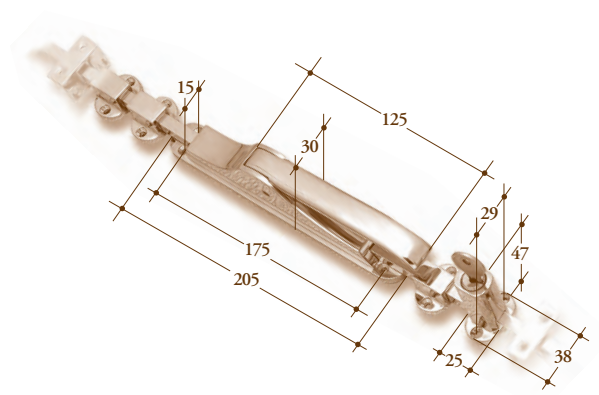
Maniglie | *Handles* | Beschläge



AUFLIEGENDE FENSTER TREIBRIEGEL UND "Torin Mechanismus"



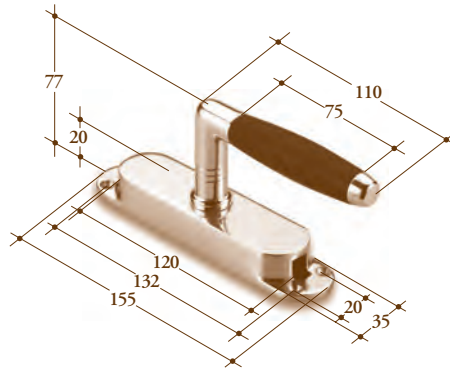
Art. 250-H 109



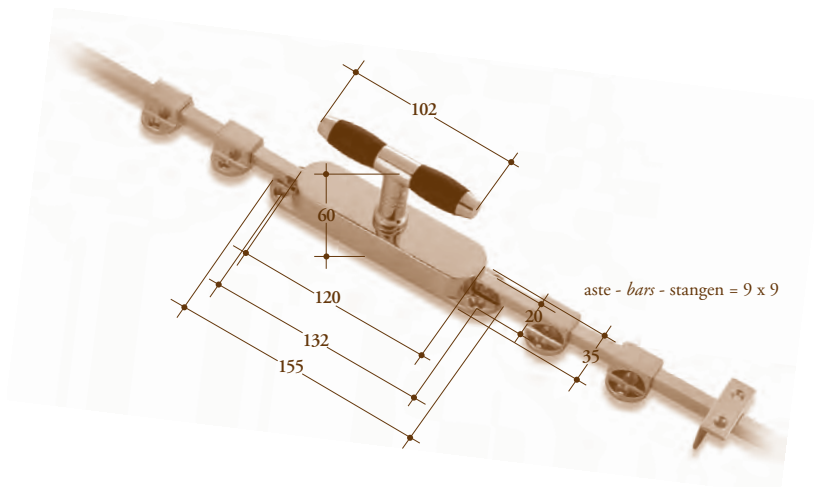
Art. 250-H-998S



AUFLIEGENDE FENSTER TREIBRIEGEL UND "Torin Mechanismus"



Art. 251-H-109



Art. 251-H/259-EBANO

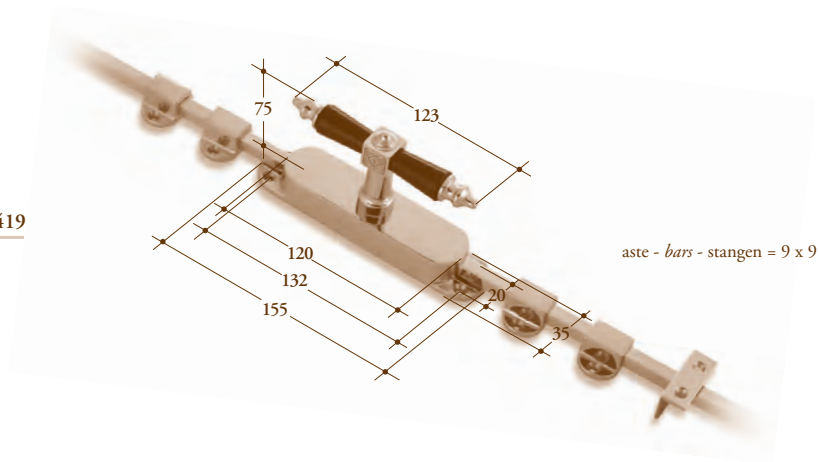


CREMONESI PER ASTE ESTERNE E "Movimento Torino"

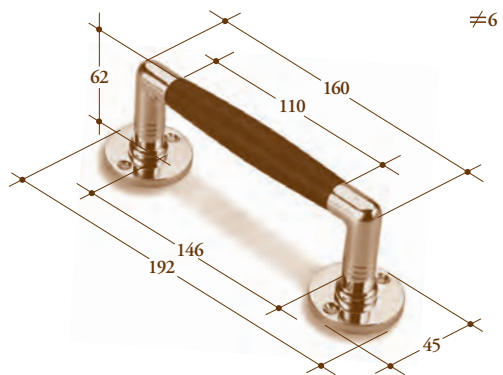
ESPAGNOLETTE BOLT SETS (for external bars)

AUFLIEGENDE FENSTER TREIBRIEGEL UND "Torin Mechanismus"

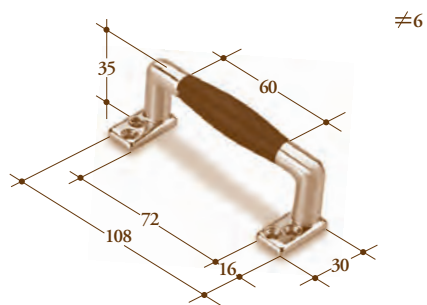
Art. 251-H-419



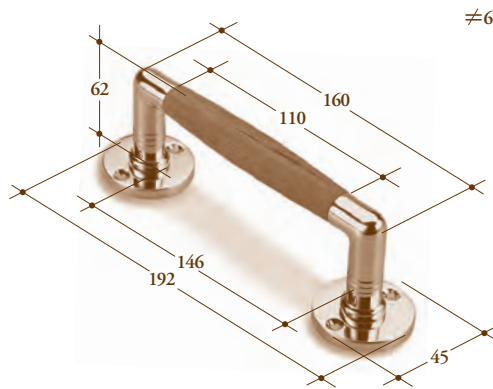
Maniglie | Handles | Beschläge



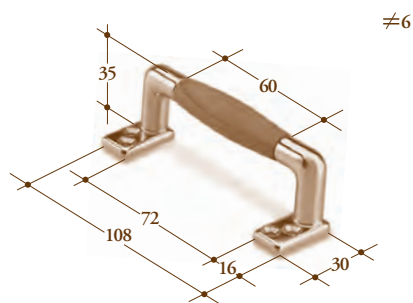
Art. 709 EBANO



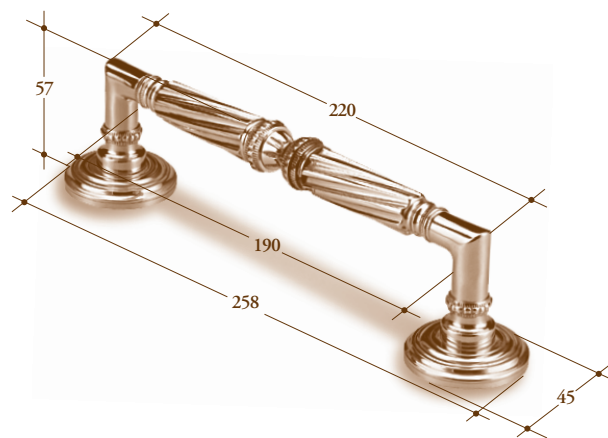
Art. 747 EBANO



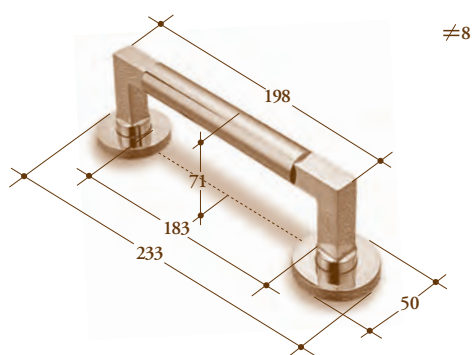
Art. 709 TEAK



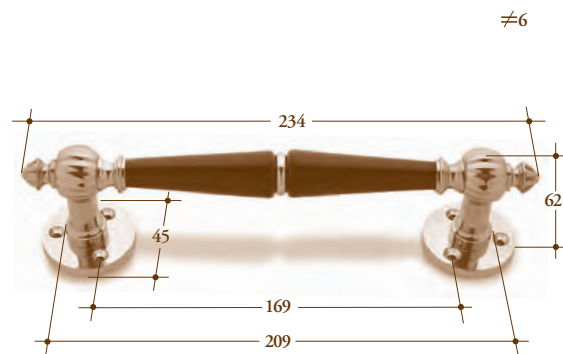
Art. 747 TEAK



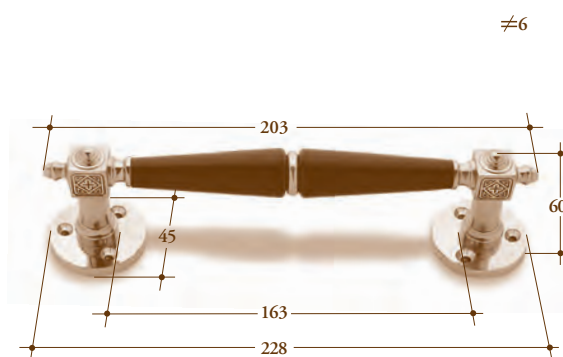
Art. 745



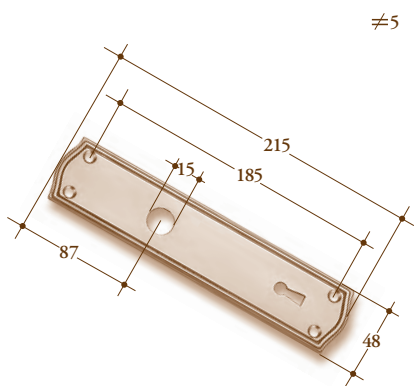
Art. 765



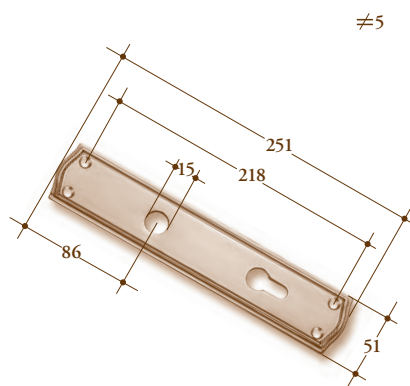
Art. 763



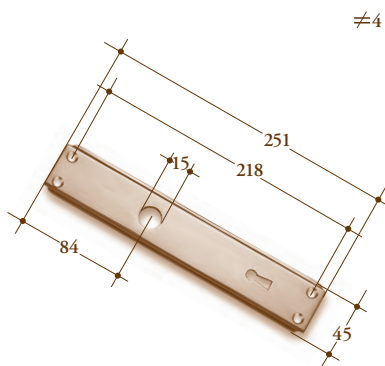
Art. 764



Art. 18

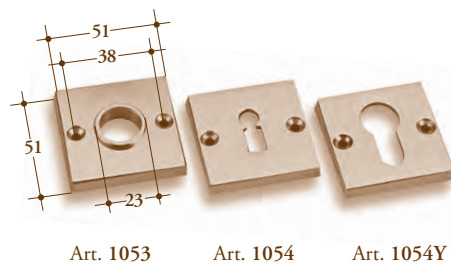


Art. 18-H



Art. 30

Art. 1053-1054-1054Y



Art. 1053

Art. 1054

Art. 1054Y



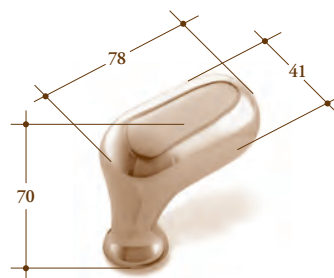
POMOLI SINGOLI

CENTRE DOOR KNOBS

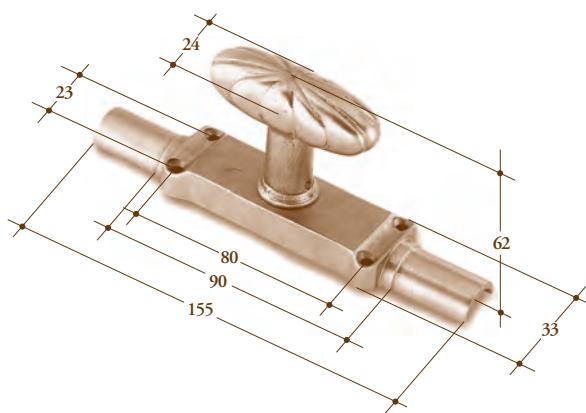
HAUSTÜRKNÖPFE



Art. 543



Art. 544



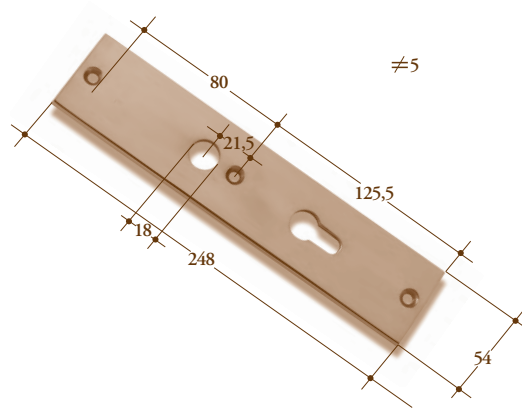
Art. RAGGIATO



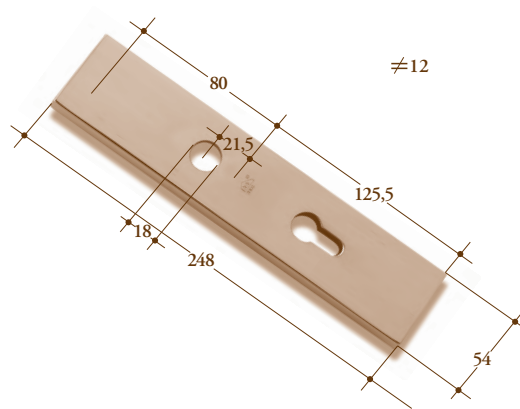
GUARNITURE CERTIFICATE SKG

CERTIFICATED SETS LEVERHANDLES SKG

SCHUTZGARNITUREN SKG



Art. 022-SI



Art. 022-SE

Guarniture di sicurezza | Security hardware | Schutzgarnituren

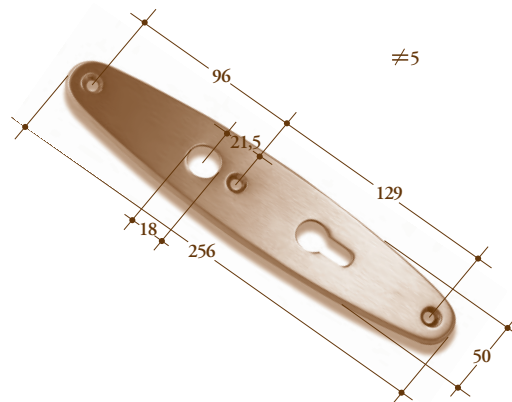
\neq spessore - thickness - Stärke



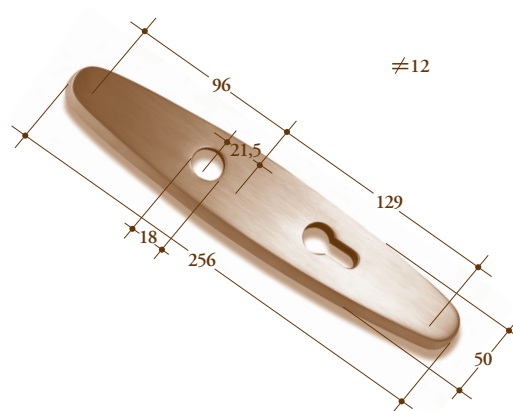
GUARNITURE CERTIFICATE SKG

CERTIFICATED SETS LEVERHANDLES SKG

SCHUTZGARNITUREN SKG



Art. 025-SI



Art. 025-SE

Guarniture di sicurezza | Security hardware | Schutzgarnituren

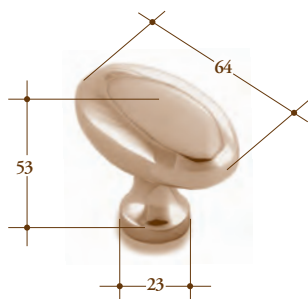
≠ spessore - thickness - Stärke



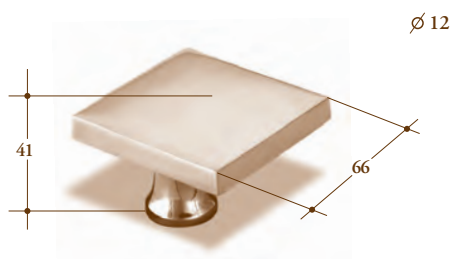
GUARNITURE CERTIFICATE SKG

CERTIFICATED SETS LEVERHANDLES SKG

SCHUTZGARNITUREN SKG



Art. 241-S



Art. 541-S

Guarniture di sicurezza | *Security hardware* | Schutzgarnituren

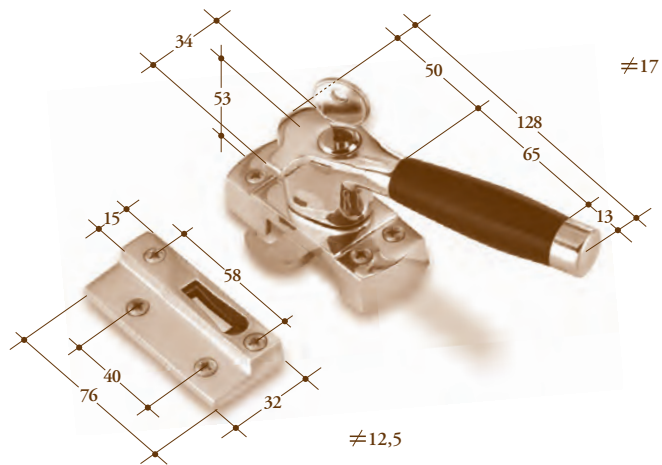
∅ foro filettato - *inside thread* - Gewindebohrung



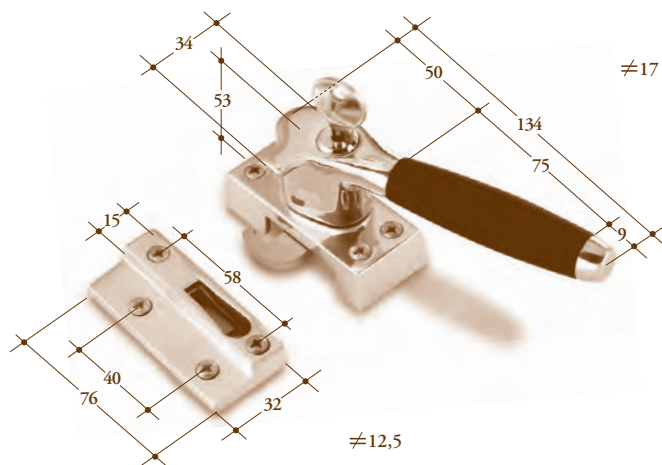
GUARNITURE CERTIFICATE SKG

CERTIFICATED SETS LEVERHANDLES SKG

SCHUTZGARNITUREN SKG



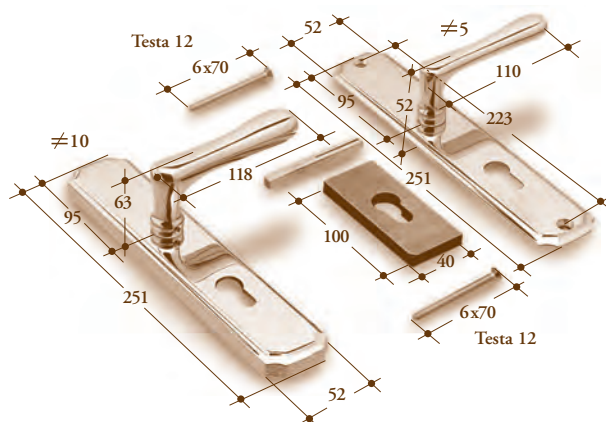
Art. 899-SIC



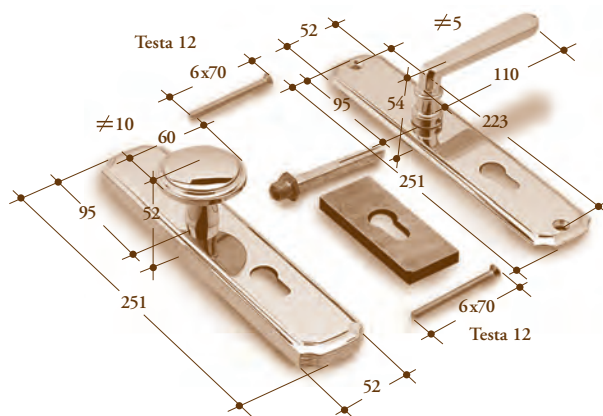
Art. 899-SIC-EBANO

Guarniture di sicurezza | Security hardware | Schutzgarnituren

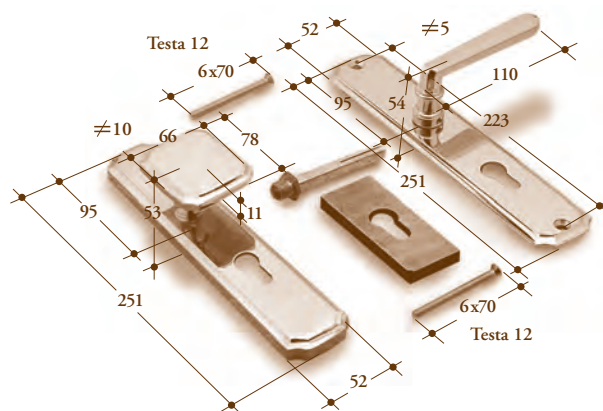
\neq spessore - thickness - Stärke



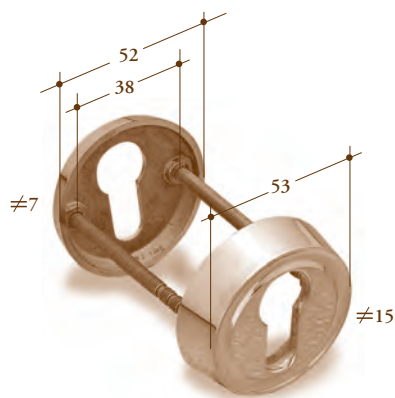
Art. 221-H/016C + 221-016A



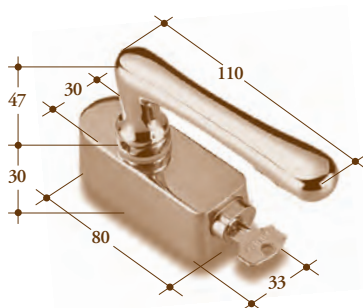
Art. 226/016A + 538mm 60/016C



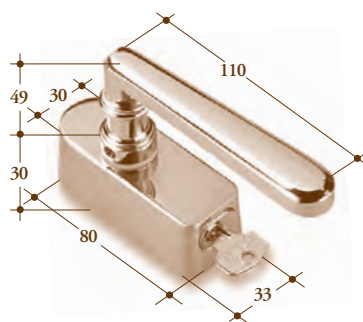
Art. 226/016A + 540/016C



Art. 1052-H



Art. 221/258-S



Art. 221/258-S



Art. TIPO E 8X100 12MA



Art. TIPO E 8X80 12MA



Art. TIPO G 8X65



Art. TIPO G 8X85

F

FERRI PER MONTAGGI

VARIOUS SPINDLES

VERSCHIEDENE STIFTE



Art. TRONCONE 10MA



Art. TRONCONE 10MA



Art. TRONCONE 6MA



Art. TRONCONE 8MA

Note tecniche | *Technical notes* | Technische noten